



# Thank you

for downloading this pdf file from [Knitting-and.com](https://www.knitting-and.com)!

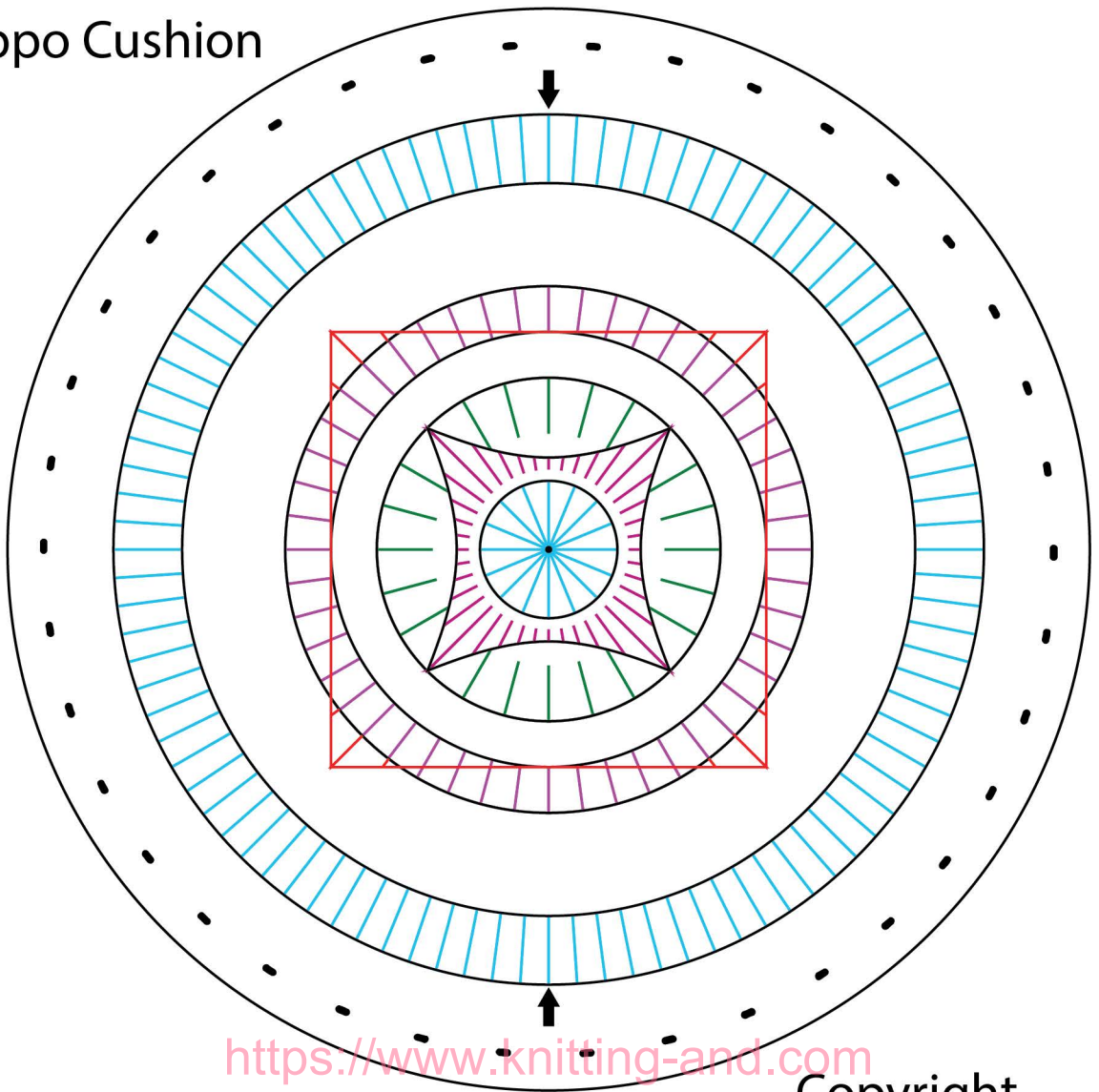
Your visits have helped keep Knitting-and.com online, providing free crafts and recipes since 1996.

There are hundreds of free patterns and crafts available and more added all the time!

**Note:** The pink watermark on the following pages will not show if you print this file.

<https://www.knitting-and.com>

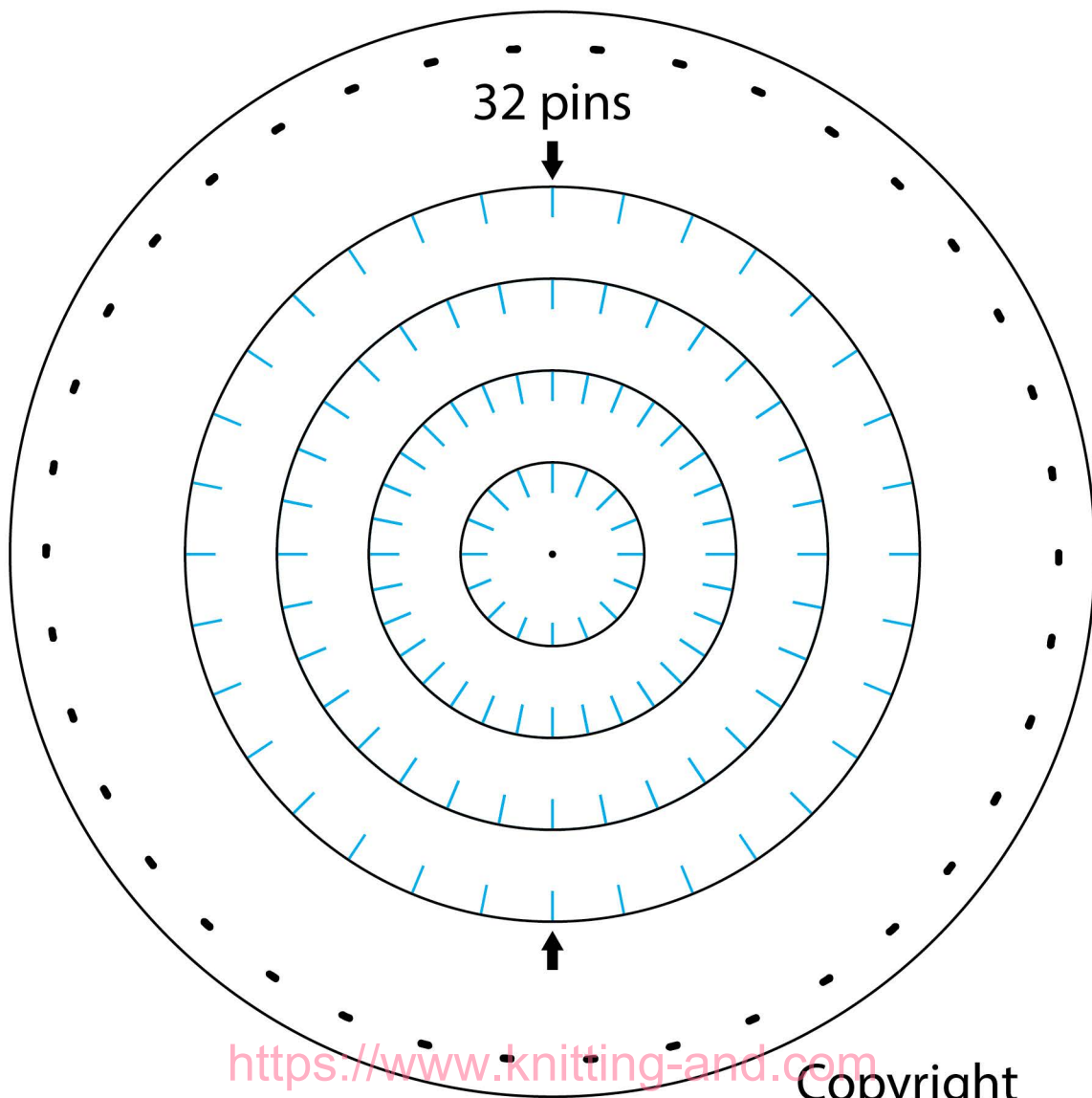
Teneriffe Lace  
Cushion Plans  
Koppo Cushion



<https://www.knitting-and.com>

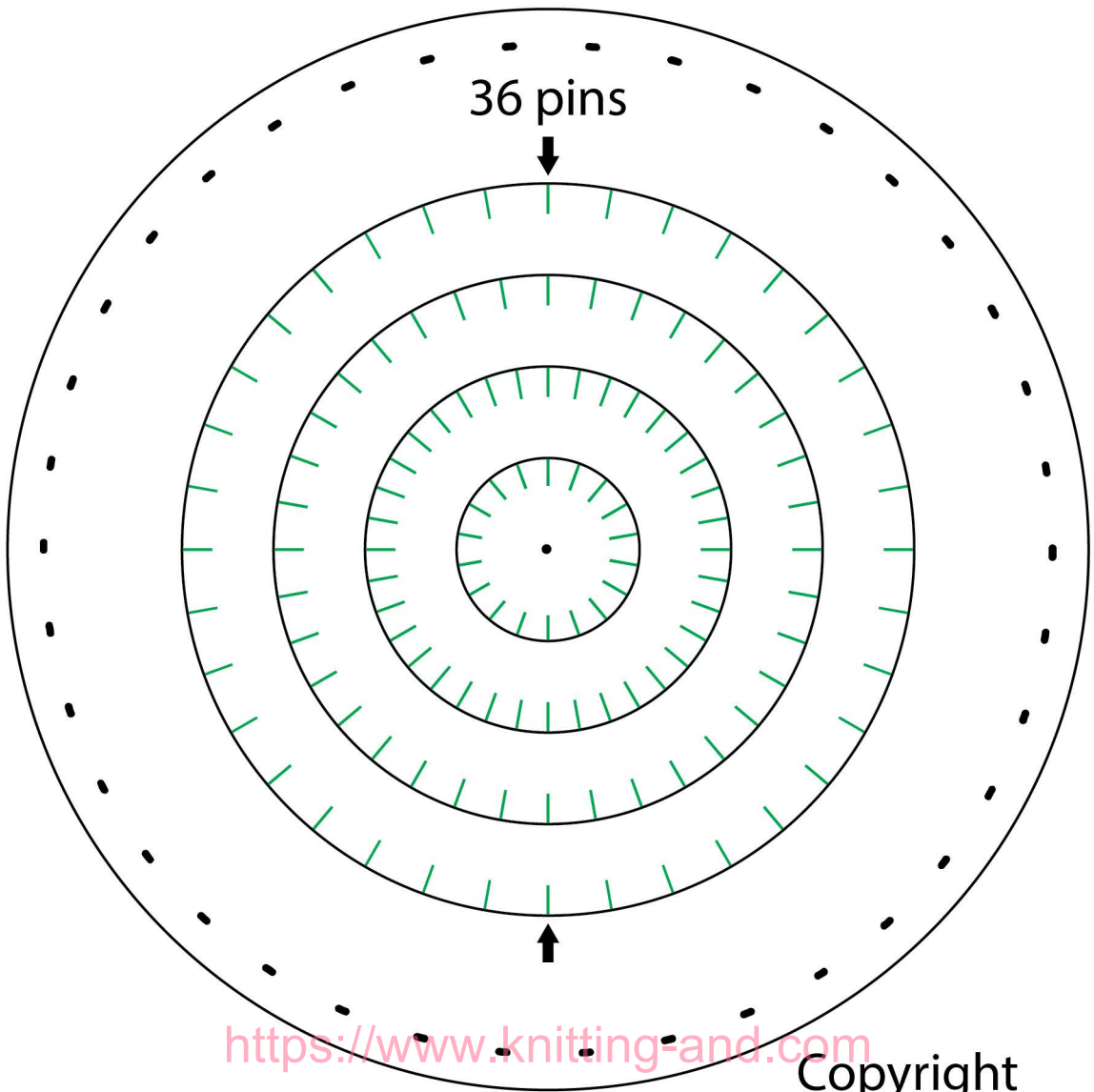
Copyright  
Sarah Bradberry  
March 17th, 2019

# 1, 2, 3 and 4 inch circles



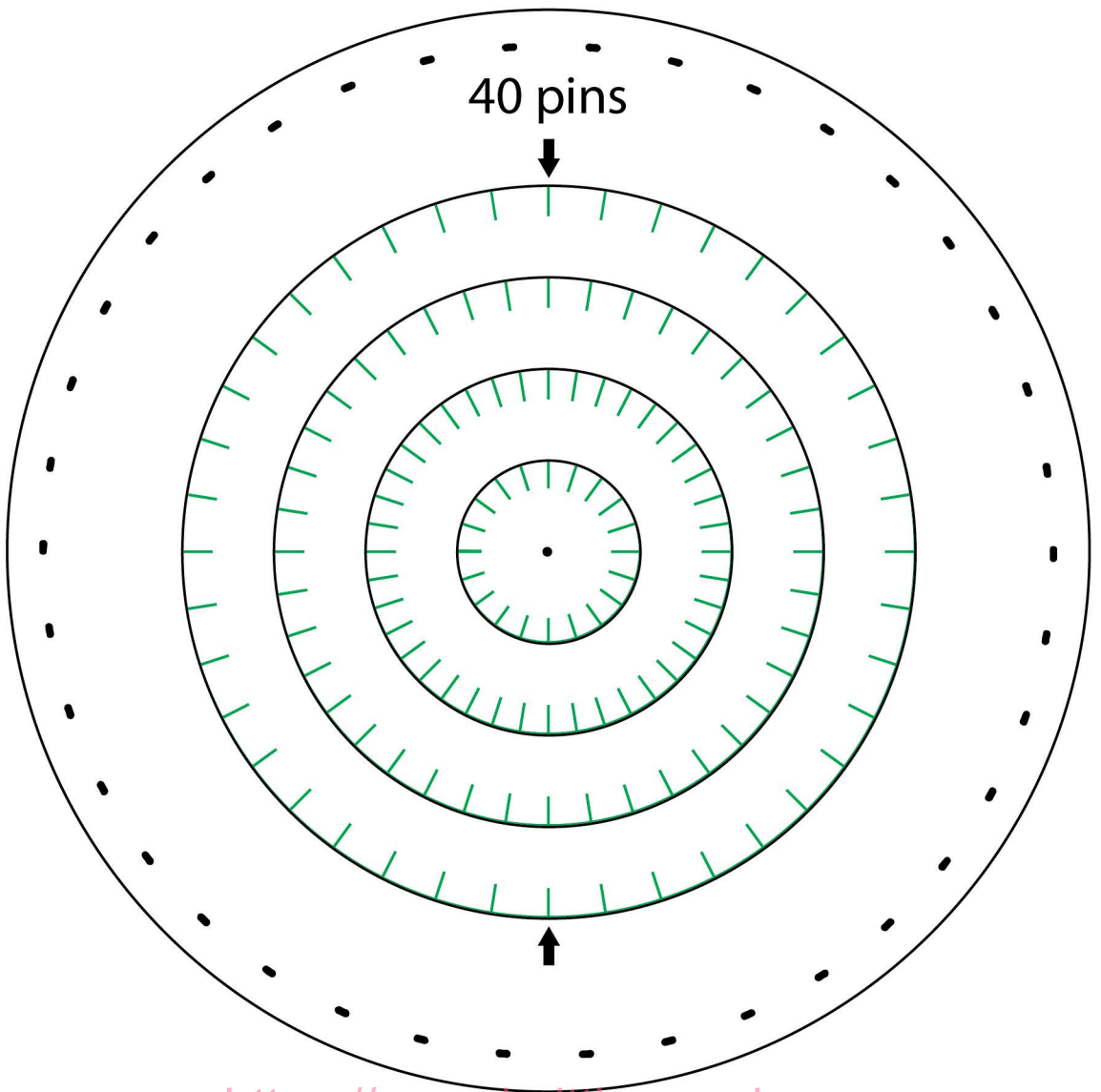
<https://www.knitting-and.com>

Copyright  
Sarah Bradberry  
March 17th, 2019



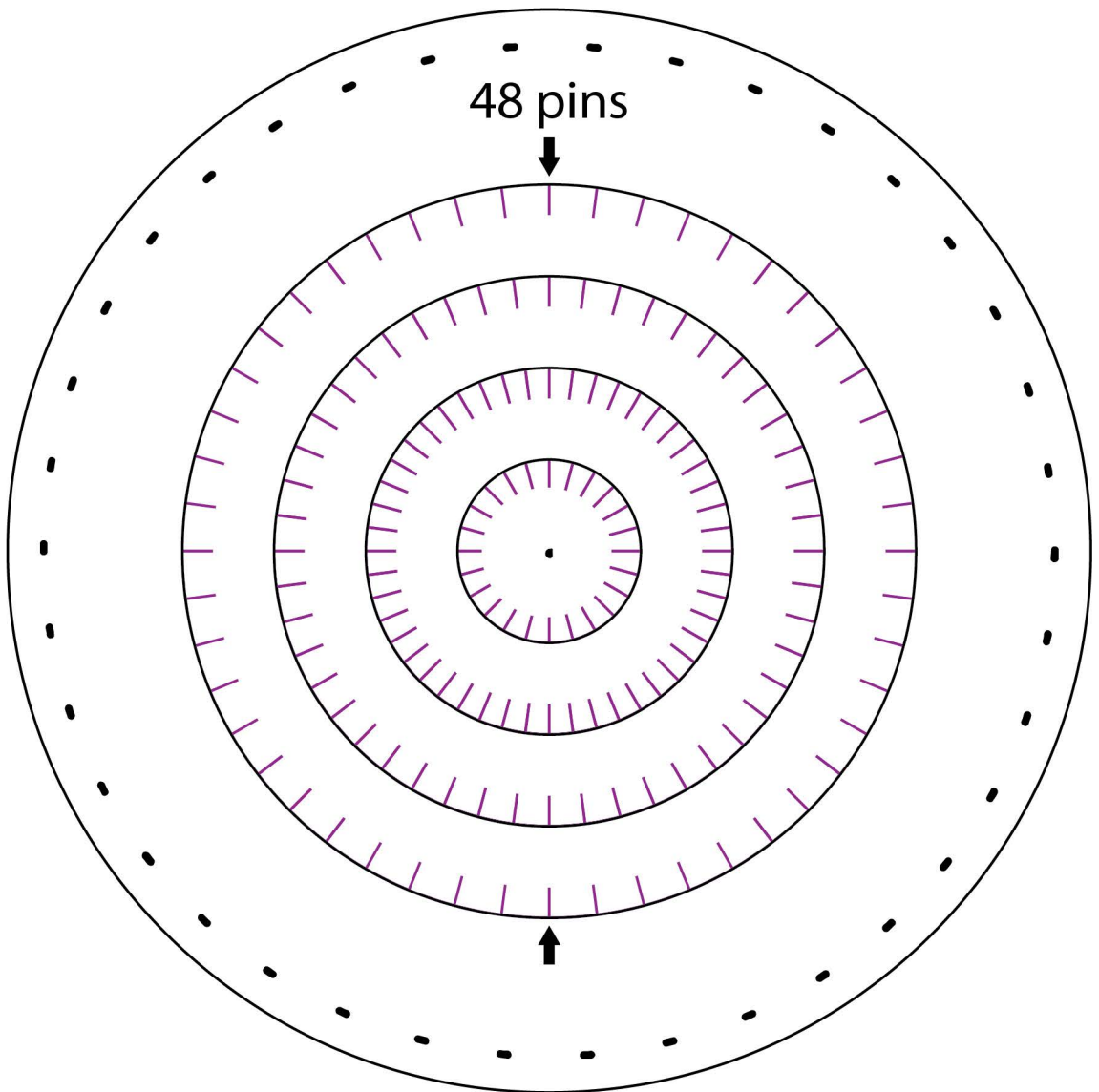
<https://www.knitting-and.com>

Copyright  
Sarah Bradberry  
March 17th, 2019



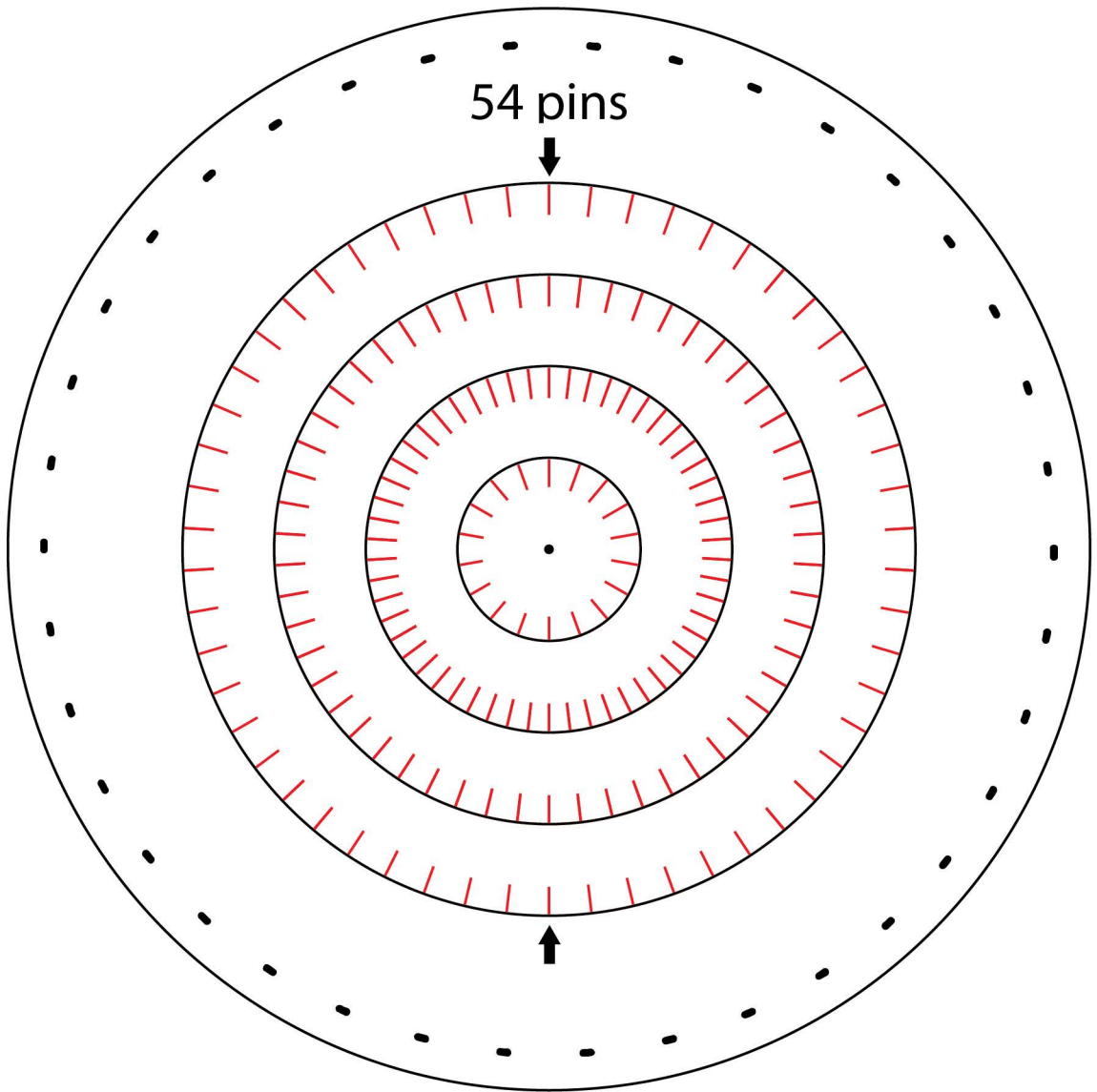
<https://www.knitting-and.com>

Copyright  
Sarah Bradberry  
March 17th, 2019



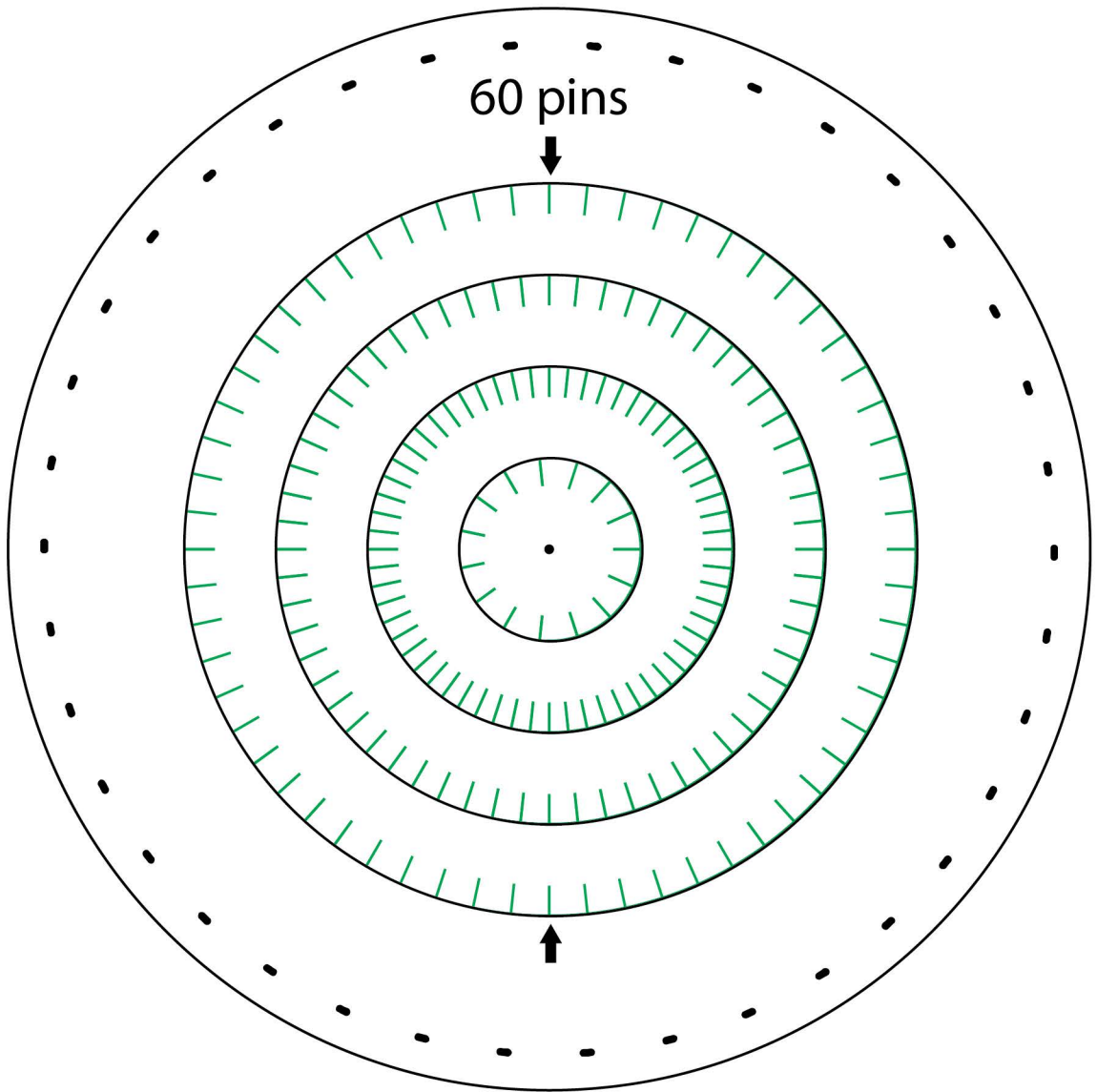
<https://www.knitting-and.com>

Copyright  
Sarah Bradberry  
March 17th, 2019



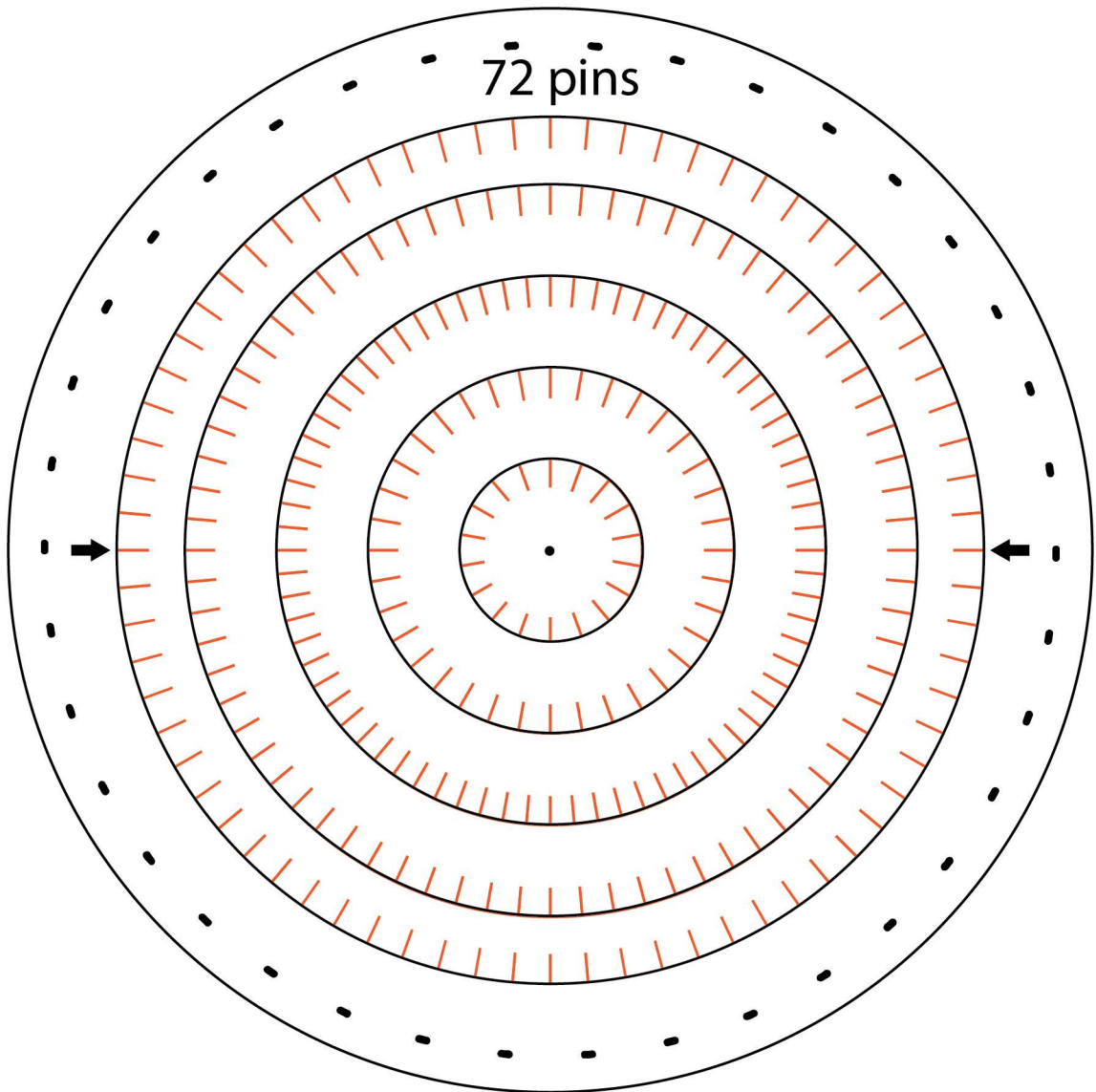
54 pins

<https://www.knitting-and.com> Copyright  
Sarah Bradberry  
March 17th, 2019



<https://www.knitting-and.com> Copyright  
Sarah Bradberry  
March 17th, 2019

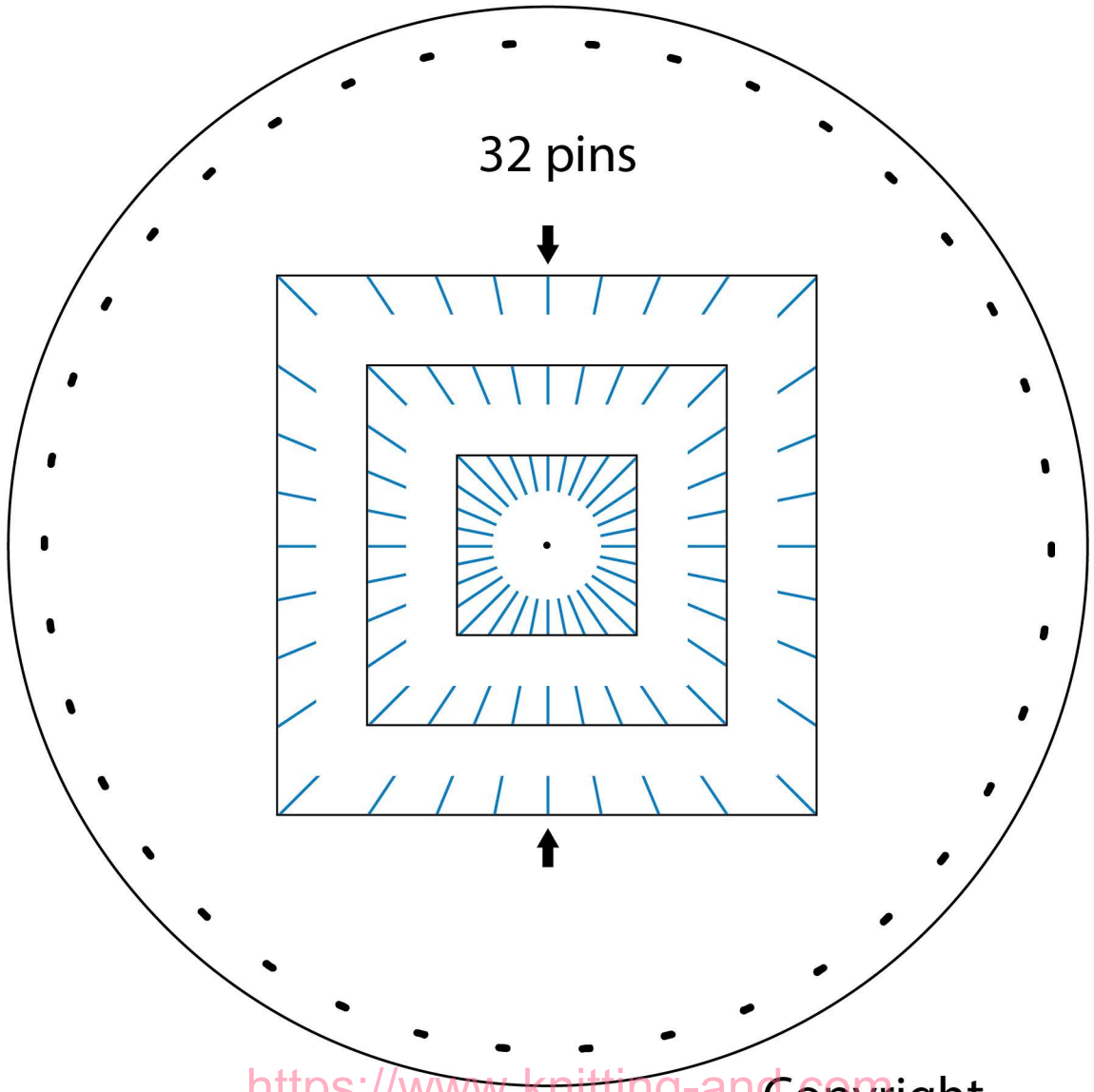




72 pins with additional 4 3/4"  
12cm circle

Copyright  
Sarah Bradberry  
March 17th, 2019

<https://www.knitting-and.com>

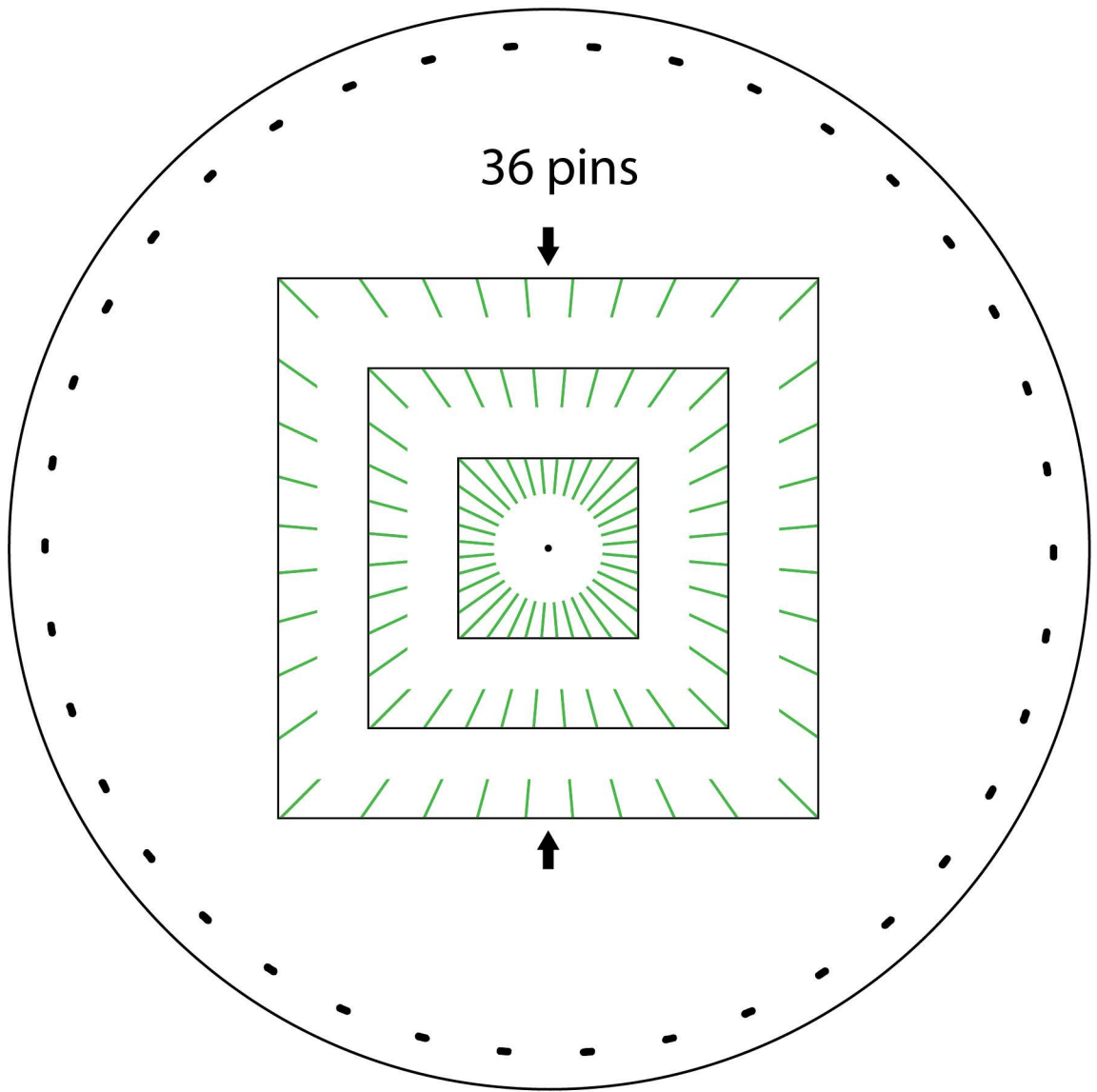


<https://www.knitting-and.com> Copyright

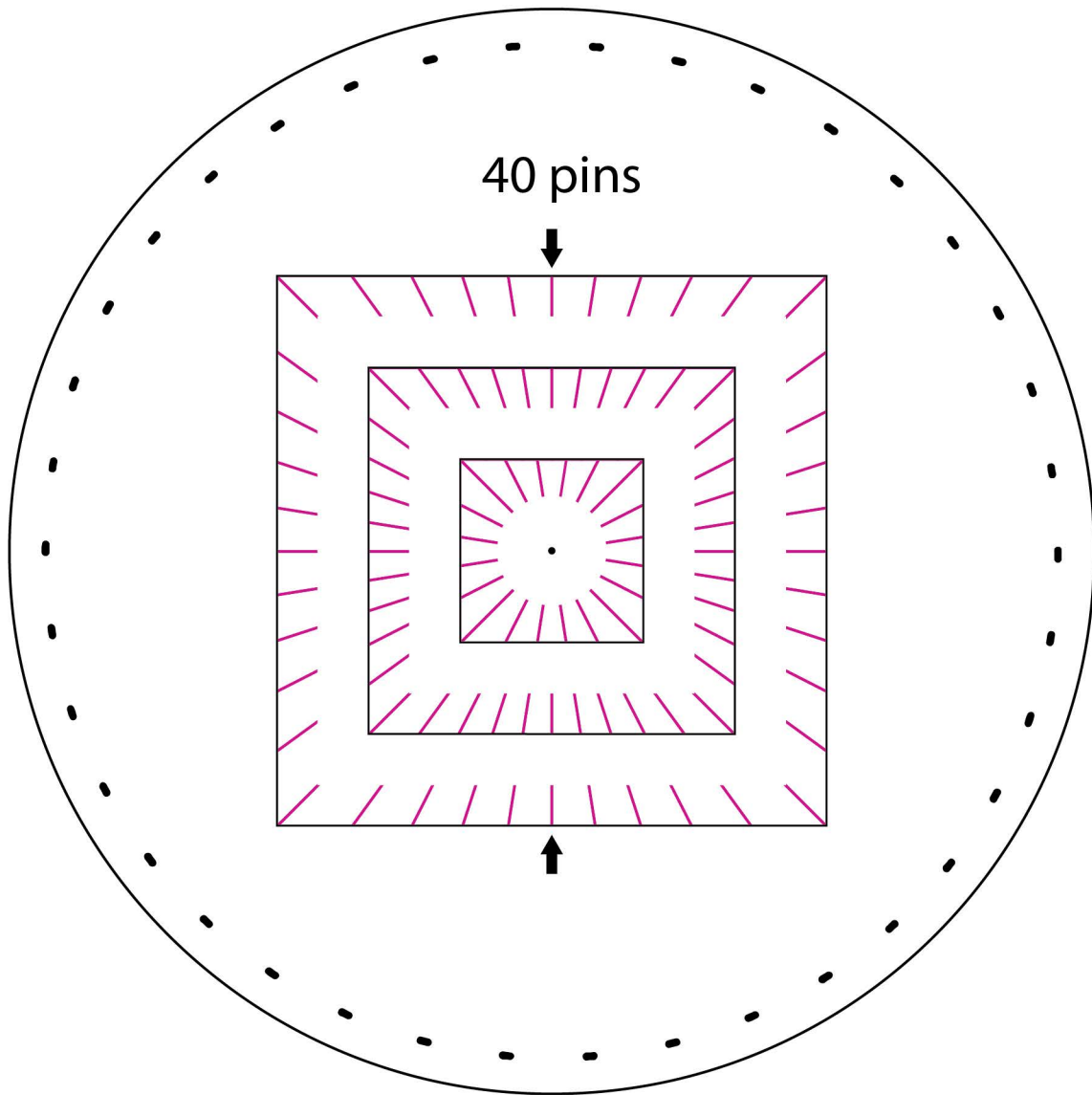
Sarah Bradberry

March 17th, 2019

1, 2 and 3 inch squares

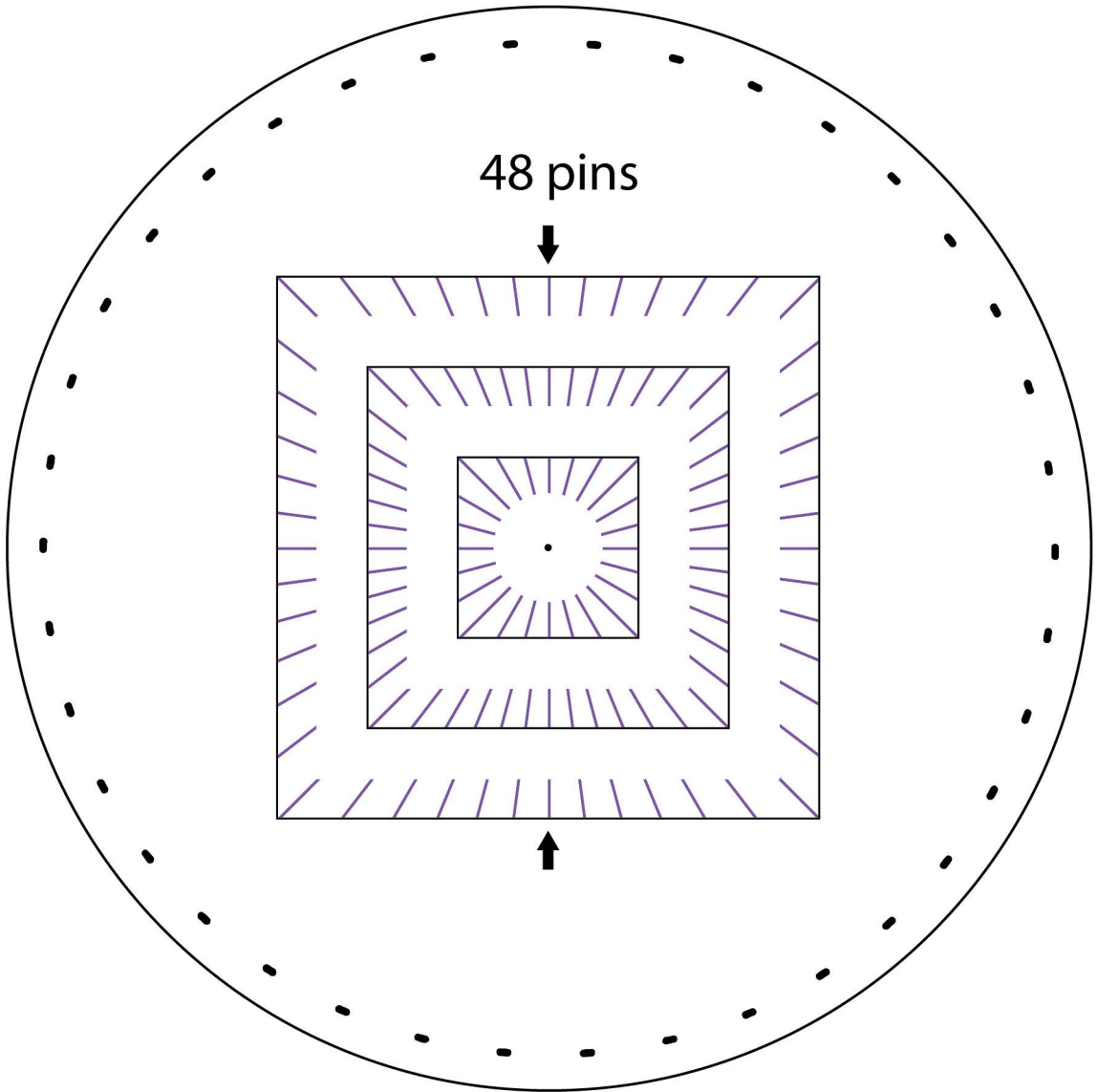


36 pins



<https://www.knitting-and.com>

Copyright  
Sarah Bradberry  
March 17th, 2019



<https://www.knitting-and.com>

Copyright  
Sarah Bradberry  
March 17th, 2019



## Sewing pattern

Cut 2 from calico or similar for lining

Cut 2 from outer fabric

If desired, mark inner line as sewing line

Cut one gusset from each fabric measuring

49.7cm/19 1/2" by 7.5cm or 3"

Seam allowance are 12mm or 1/2" unless otherwise stated

<https://www.knitting-and.com>